



Merco Energy Saver E-25 High Efficiency Nozzles

A new high efficiency nozzle has been developed for the Merco product line. The nozzle will decrease power consumption by 25 percent or more depending on application/duty.

Quick payback time

Save money by using less energy, thanks to the advanced design of the high efficiency E-25 nozzle. Alfa Laval modifies your existing rotor assembly with nozzle openings to accommodate new nozzle bushings. With energy savings of 25 percent or more, your investment in upgrading quickly pays for itself.

Easy maintenance

Upgrading makes your Alfa Laval Merco separator easier to maintain than previous models. Convenient to install and remove, the new E-25 nozzle reduces the amount of time and labor required for routine maintenance.

With the Energy Saver Upgrade, new replaceable bushings are installed in the nozzle opening in the bowl wall. The bushings provide extra protection and minimize the risk of damage to the bowl wall.

More eco-friendly

By enhancing your Merco separators with E-25 nozzles, your wet milling processes instantly become more environmentally sound, thanks to energy savings that reduce your plant's carbon emissions.

Extended nozzle life

Upgrade your existing nozzles with our new high efficiency E-25 nozzles. The impressive E-25 nozzle design raises the bar on performance. The nozzles are made of highly wear-resistant material and are designed to minimize turbulence. These improvements prolong the service life of the E-25 nozzle.

NOTE! The replacements are valid only for rotor and hub assemblies upgraded with bushings.

The bushings are needed both to achieve the power savings as well as protect the body in the unlikely event of a broken nozzle.

New Nozzle Tool



Only rotor and hub assemblies for the H-30 and H-36 machines delivered by Alfa Laval and made of forged stainless steel 2377 can be modified to the new design.

The advantages of the new nozzles are:

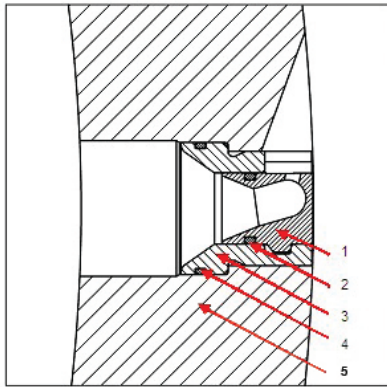
- Energy savings of 25 percent or more
- Longer nozzle life
- Easier to install
- Easier maintenance

Scope (based on return of Rotor Bowl/Hub only):

- Disassemble, clean and inspect Rotor Bowl/Hub Assembly (B&H Assembly)
- Bore nozzle opening to accommodate new nozzle bushings
- Install new bushings, high efficiency nozzles (size to be specified by customer) and lower shaft assembly
- Balance Rotor Bowl/Hub Assembly to OEM specifications
- Prepare Rotor Bowl/Hub for shipment (nozzles will be shipped in a separate box for assembly by customer during Rotor installation).

Additional options:

(1) piece 577086-80 Nozzle Tool



1. Nozzle 577036
2. O-ring p/n 260168-46
3. Bushing p/n 575647-01
4. O-ring p/n 223404-63
5. B&H Assembly

The rotor bowl and hub assemblies manufactured by Dorr-Oliver can not be modified, but they can be replaced with the new forged assemblies with bushings acc to below table.

Model	New B&H P/N	Existing B&H P/N
H-30 GT/CL/MST	581456-80	01A18683-02
H-30 PRIM	581456-82	01B15719-02
Model H-36 T/F	581454-80	01B13916-02
Model H-36 B/F	581454-81	01B12989-01
H-36B PRIM	581453-81	01B14370-02
H-36B GT/CL/MST	581453-80	01B14658-02
LPCH-30 PTA	581456-81	01A18683-03

(2) pieces 576565-81 Lifting Tool

Contact Denny Dearing at the Greenwood Repair Center for additional information or to schedule the above upgrade at 317-889-3022 or email: denny.dearing@alfalaval.com

Remember to order the nozzle tool 577086-80 and the O-ring 260168-46 for each nozzle.

The nozzles should be handled separately to minimize the risk of damage, since they are made of a brittle material.

Part numbers for new nozzles according to below table:

New Nozzle P/N	Size	Ø
577036-01	65E-25	0,9
577036-02	60E-25	1
577036-03	56E-25	1,15
577036-04	53E-25	1,5
577036-05	50E-25	1,8
577036-06	46E-25	2
577036-07	43E-25	2,25
577036-08	40E-25	2,5
577036-09	38E-25	2,6
577036-10	36E-25	2,7
577036-11	34E-25	2,8
577036-12	32E-25	2,95
577036-13	30E-25	3,25
577036-14	28E-25	3,55
577036-15	24E-25	3,85
577036-16	20E-25	4,1
577036-17	18E-25	4,3
577036-18	15E-25	4,6
577036-19	11E-25	4,8
577036-20	9E-25	5



How to contact Alfa Laval

Up-to-date Alfa Laval contact details for all countries are always available on our website at www.alfalaval.com